

# THseries TH312A

## Two-way Loudspeaker System

**TH312 is a dual 12"**, big power, high SPL, long-throw speaker. It uses 2x12" high efficiency neodymium mid-bass units, 1x1.4" exit throat 75mm voice coil neodymium HF driver, mid-bass and HF adopt horn-loaded design. The wood box adopts multilayer composite plywood, wear-resistant and waterproof polyurea paint. TH312A is equipped with FA2.38 digital amplifier module based on TH312 to be an active speaker.

TH312是一款双12寸大功率，高声压级中远程音箱。采用2只12寸强磁高效率中低音单元，1只1.4寸喉口75芯强磁复合振膜驱动器，中低音与高音全部采用号角负载设计，箱体采用多层复合夹板，耐磨聚脲喷涂。TH312A是在TH312的基础上配置FA2.38D类功放成为有源音箱。

### FEATURES

- High quality plywood with wear-resistant and waterproof polyurea paint
- High quality neodymium HF driver
- Horn-loaded design
- Long-throw design
- Big power, high SPL
- Good used for moving performance, theatres and cinemas

### 产品特点

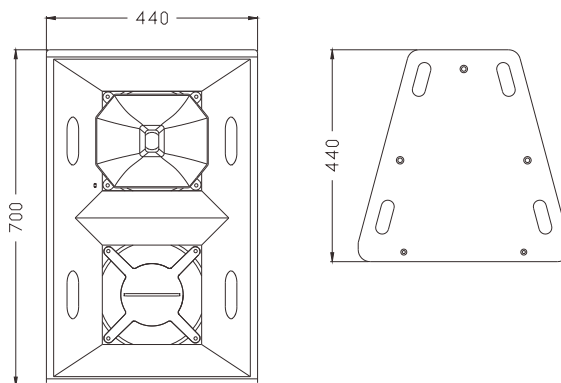
- 高品质单元配置
- 紧凑型箱体设计，号角负载设计，高声压级输出
- 多种吊挂安装方式

### 适用范围

- 酒吧、餐吧、会所
- 多功能厅、会议室、报告厅



### CONFIGURATION



#### MODEL

FREQUENCY RESPONSE(-3dB)  
FREQUENCY RESPONSE(-10dB)  
DRIVERS

#### RATED POWER

#### SENSITIVITY

#### MAXIMUM SPL

#### IMPEDANCE

#### DISPERSION(-6dB)

#### CROSSOVER FREQUENCIES

#### INPUT CONNECTORS

#### PACKAGE SIZE

#### NET WEIGHT

#### GROSS WEIGHT

#### TH312

65Hz-18kHz  
60Hz-20kHz  
2 × 12"(300mm)/3"voice coil LF  
1 × 1.4"(36mm)/3"voice coil HF  
600W RMS,2400W peak  
103dB 1watt/1meter  
131dB continuous,137dB peak  
4 ohms nominal  
60° × 40°  
1.3kHz passive  
2 × Speakon NL4  
530mm × 530mm × 795mm  
32 kg/pc  
37 kg/pc

#### TH312A

65Hz-18kHz  
60Hz-20kHz  
2 × 12"(300mm)/3"voice coil LF  
1 × 1.4"(36mm)/3"voice coil HF  
300W/8Ω+1200W/4Ω  
--  
131dB continuous,137dB peak  
--  
60° × 40°  
--  
INPUT TYPE: Balanced Differential line  
530mm × 530mm × 795mm  
35 kg/pc  
40 kg/pc